

CEILING - SINGLE ARM

AVAILABLE IN 2 MODELS

BOLT CEILING LAMP - SIDE FIT



BOLT CEILING LAMP - UNDER FIT



CEILING - SINGLE ARM

INFORMATION

GENERAL INFORMATION

- DESIGN BY** Anton de Groof, 2016
MATERIALS Steel & aluminium
PRODUCT 17. Bolt ceiling lamp single arm - side fit
18. Bolt ceiling lamp single arm - under fit

DESCRIPTION Wall lamp in coated steel, shade in coated aluminium. Lamp head and lamp arm are adjustable with special wingnut.

TOTAL WEIGHT 2 kg - side fit
2 kg - under fit

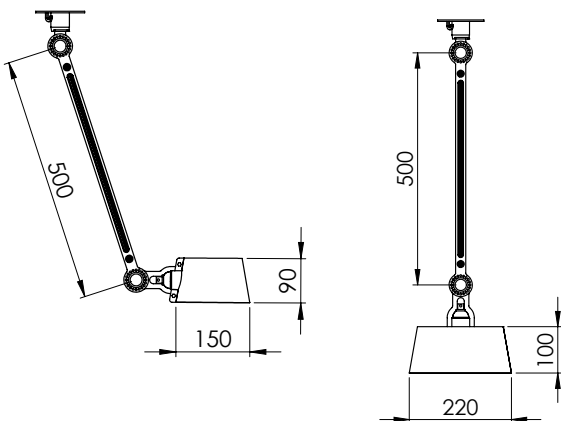
TECH. SPECIFICATIONS

- INPUT** 200-240 V
MAX. WATT Max. 60 Watt
LIGHT BULB E27

POSITIONS

The lamp can be adjusted at all its joints. This gives endless possibilities to the position of the lamp.

DIMENSIONS



IN THE PACKAGE

- 01** A special wingnut shaped tool to adjust the lamp
02 A ceiling unit for assembly on the ceiling (rotating)

GOOD TO KNOW

ENVIRONMENT Special waste handling may be required please contact your local authorities for more information

CLEANING Wipe clean with a dry cloth

SAFETY Minimum safe distance to illuminated object: 30 cm

COLORS

The Bolt lamp is available in 7 colors.

INSTALLATION

The Ceiling lamp will be delivered with a ceiling plate and 2m wire. It can be installed on the ceiling (1) or directly on a junction box in the ceiling (2):

